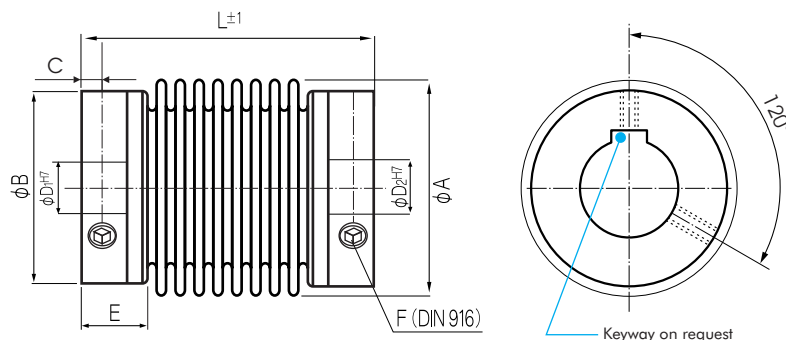


Miniature Metal Bellows Coupling

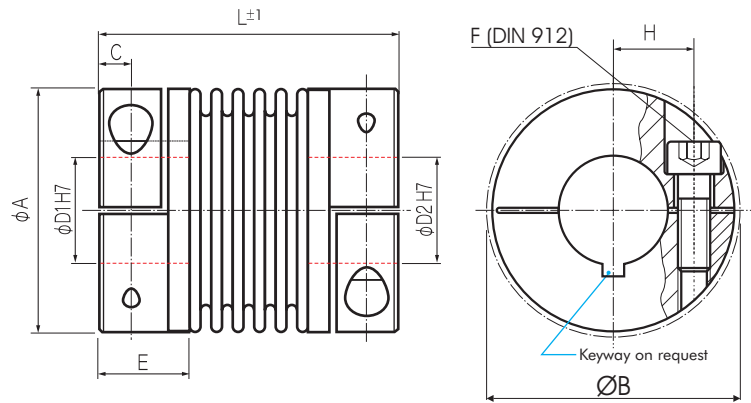


Order Code: KB 1 / 45 - 40 - 10 - 18 (- S)
 Type / Size Length L Ø D1 (H7) Ø D2 (H7) Options

	Torque T _{KN} (Nm)	Dimensions (mm)							Technical Ratings							
		L Length (±1)	Ø A Outer Ø	D1/D2 Bohre Sizes (H7) min ~ max	Ø B Hub Ø	C	E Hub- Length	F Screw (DIN 916) T _A (Nm)	Mass (g)	Moment of Inertia J (g cm ²)	Spring Stiffness			Misalignment		
											torsinal C _T (Nm/rad)	radial C _R (N/mm)	axial C _A (N/mm)	radial ΔK _r (mm)	axial ΔK _a (mm)	angular ΔK _w (°)
KB1/05	0.05	14	6.5	1-3	6.5	1.5	4	1x M2 0.35	1	0.1	50	6	9	0.1	0.4	1
KB1/1	0.1	23	10	1-4	10	2	6	1x M3 0.5	3	0.45	65	10	14	0.12	0.2	1.2
KB1/5	0.5	19	15	3-8	13.5	2	6	1x M3	4	1.3	260	43	13	0.1	0.2	1
		0.5						4.5	1.5	200	18	10	0.15	0.3	1.5	
		0.5						5	1.6	160	9	8	0.2	0.4	2	
KB1/10	1	21	15	3-8	13.5	2	6	1x M3	5.5	1.8	510	74	27	0.1	0.2	1
		0.5						6	2	380	31	20	0.15	0.3	1.5	
		0.5						7	2.3	310	16	16	0.2	0.4	2	
KB1/15	1.5	26	19	3-12	19	3	8	2x M4	10	6	750	59	15	0.1	0.3	1.5
		30						1.5	12	7.4	700	20	9	0.15	0.4	2
KB1/20	2	22	24	3-14	21.5	3	6	2x M4	11	9.2	1500	67	12	0.15	0.3	1.5
		28						1.5	13	12.6	1300	21	11	0.2	0.4	1.5
		32						1.5	15	13.5	1050	11	9	0.25	0.5	2
KB1/45	4.5	40	32	6-19	29	4	12	2x M6	44	68	6500	168	32	0.1	0.3	1.5
		48						3	50	79	4200	41	20	0.2	0.5	2
KB1/100	10	45	40	6-24	36	4	12	2x M6	60	150	8100	120	27	0.15	0.4	1.5
		55						3	79	210	6800	29	17	0.3	0.6	2

- ⊙ Speed: max. 15000 min⁻¹
- ⊙ Hub: Bore Tolerance: H7 Keyway acc. DIN 6885 optional
- ⊙ Material: Bellows - Stainless Steel, Size 05: Bronze
Hub - Aluminium (also available in Stainless Steel)
- ⊙ Temperature Range: -30° ~ 120° C

Metal Bellows Coupling



Order Code: KB 2 / 45 - 50 - 10 - 16 - S

Type / Size Length L Ø D1 (H7) Ø D2 (H7) Options

	Torque TKN (Nm)	Dimensions (mm)								Technical Ratings							
		L Length (±1)	Ø A Outer Ø	D1/D2 Bore Sizes (H7) min ~ max	H	C	Ø B Max. Ø	E Hub-length	F Screw (DIN 912) TA (Nm)	Mass (g)	Moment of Inertia J (g cm ²)	Spring Stiffness			Misalignment		
												torsional CT (Nm/rad)	radial CR (N/mm)	axial CA (N/mm)	radial ΔKr (mm)	axial ΔKa (mm)	angular ΔKw (°)
KB2/1	0.1	25	10	1-4 3*	3.4	2	11	7	M1.6	3	0.5	65	10	14	0.12	0.2	1.2
									0.1								
KB2/5	0.5	21	15.5	3-7 6*	5.2	2.5	17.5	8	M2	7.5	2.7	260	43	13	0.1	0.2	1
		25							7.8	2.8	200	18	10	0.15	0.3	1.5	
		28							8.2	3	160	9	8	0.2	0.4	2	
KB2/10	1	23	15.5	3-8 6*	5.2	2.5	17.5	8	M2	9	3.1	510	74	27	0.1	0.2	1
		26							9.3	3.4	380	31	20	0.15	0.3	1.5	
		31							10	3.7	310	16	16	0.2	0.4	2	
KB2/15	1.5	26	20	3-10 6*	7	3	21	9	M2.5	13	8	750	59	15	0.1	0.3	1.5
		31							15	9.3	700	20	9	0.15	0.4	2	
KB2/20	2	32	25	3-14 6/10*	9	3.5	27	11	M3	29	24	1500	67	12	0.15	0.3	1.5
		38							32	27	1300	21	11	0.2	0.4	1.5	
		42							2	33	29	1050	11	9	0.25	0.5	2
KB2/45	4.5	41	32.5	6-16 10*	12	5	34	14	M4	61	100	6500	168	32	0.1	0.3	1.5
		50							3.5	67	112	4200	41	20	0.2	0.5	2
KB2/100	10	48	40.5	6-22 10*	15.5	5	41.5	14	M4	86	233	8100	120	27	0.15	0.4	1.5
		57							4.5	106	290	6800	29	17	0.3	0.6	2

*Standard Bore Sizes (H7)

- ⊙ Speed: max. 15000 min⁻¹
- ⊙ Hub: Bore Tolerance: H7 Keyway acc. DIN 6885 optional
- ⊙ Material: Bellows - Stainless Steel
Hub - Aluminium (also available in Stainless Steel)
- ⊙ Temperature Range: -30° ~ 120° C